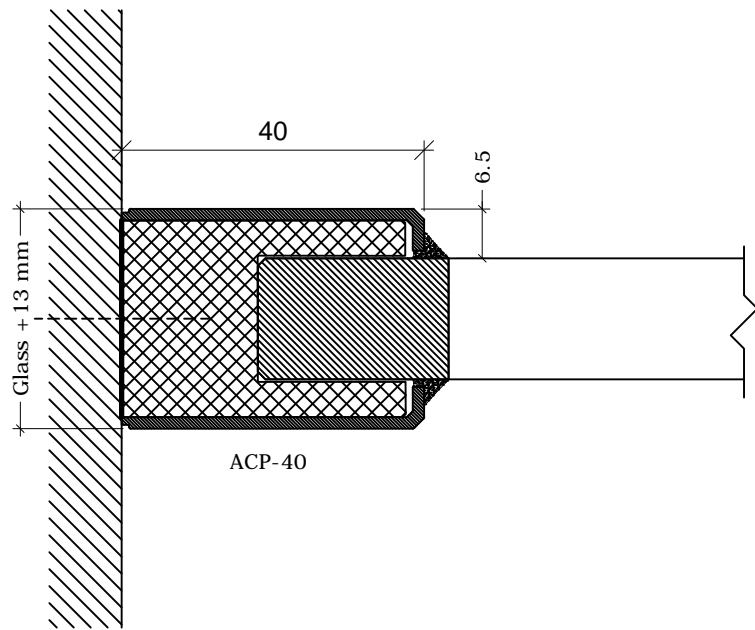



DEKO FG Fire
 EW30-EW120
 EI30-EI120



NOTE:
 Glass thickness varies depending on dimensions, fire and sound requirements.
 Possible fire resistance classes depend on the glass connection type - see detail V1 and V3.

FOR PRESENTATION PURPOSE ONLY
 DO NOT USE FOR INSTALLATION

	DEKO Tel: +45 43 55 77 11 www.deko.com		Project: DEKO FG Fire - Details		
	Case No.:	Subject: Wall connection Detail V7B		Date:	Sheet No. 1/1
Scale: 1:1			Revision: 2021-02-11-V01	Signature TCE	