

# structo

WALL  
SYSTEMS



CLASSICAL  
SCANDINAVIAN  
DESIGN

## DOORPACKAGE - R

Maximum height of  
the portal:

**3100 mm\***

\* coloured

Maximum external  
dimensions of the door  
frame (width x height):

**1090 x 2390 mm**

\* with SU-050 door panel



+372 666 5017



info@structo.ee



www.structo.ee

# DOORPACKAGE – R

## TECHNICAL DESCRIPTION



DOORPACKAGE-R is a portal with MDF carcass and wooden frame, in which the door frame is visible from the outside.

The portal has a mounting margin of 5-40mm at the top and 0-20mm on both sides, which is why it is easy to install even if the construction openings are not the same size.

The door panel of the outwards opening portal is in the same plane as the rest of the portal when viewed from the outside. If the door opens inside then it's in the same plane as the rest of the portal when viewed from the inside.

Standard single-panel sleek door frame widths are: M7 (690mm), M8 (790mm), M9 (890mm), M10 (990mm).

The standard door frame height is M21 (2090mm). It is also possible to order paired doors, double doors, doors with glass openings and doors of special size.

The standard door type is SU-050 (thickness of the door panel is 54,5mm), but the SU-060 door for increasing soundproofing (thickness of the door panel is 66,5mm) can also be chosen.

Stiles are ideal for connectors, switches, cabling, etc.

MDF 10mm panels of one side are glued to the carcass with splines, for attaching the other side (usually, the outer side) both splines or openable clip-system can be chosen.

The minimum width of the side panel when installing electrical accessories is 195 mm when viewed from the outside (170mm from the inside).

Maximum height of the portal: * coloured	<b>3100 mm*</b>
---	-----------------

Maximum external dimensions of the door frame (width x height):

with SU-010 door panel	<b>1090 x 2390mm</b>
with SU-050 door panel	<b>1090 x 2390mm</b>
with SU-060 door panel	<b>990 x 2390mm</b>

To increase the soundproofing, mineral wool and up to 2 layers of plasterboard are installed between the carcass.

If necessary, an acoustic air duct for the transfer air can be ordered above and/or next to the door (Sound Screen).

Structures adjacent to the product must be strong enough to allow profiles to be attached to them.

Possible coatings for panels and door panels are:

- painted according to RAL, NCS or Tikkurila colour catalogues.
- covered with natural or technical veneer, which may be stained and varnished, varnished with tinted varnish or painted.
- laminated (the edges of the door panel are either veneered or painted).

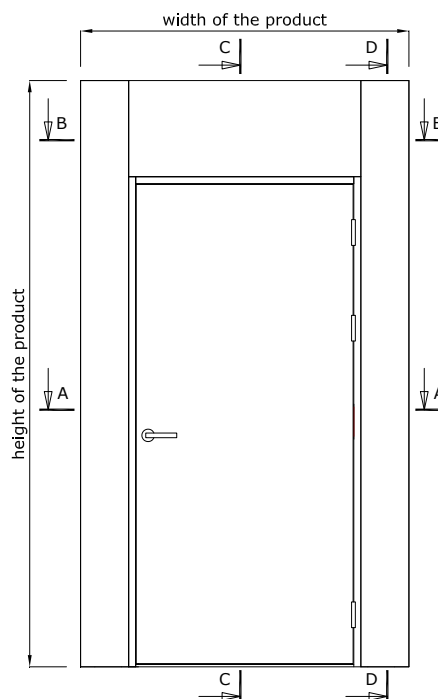
Wooden door frames can be painted or veneered.

The standard surface finish of aluminum profiles is natural (silver) anodizing but it is also possible to order a painted surface according to the RAL colour catalogue.

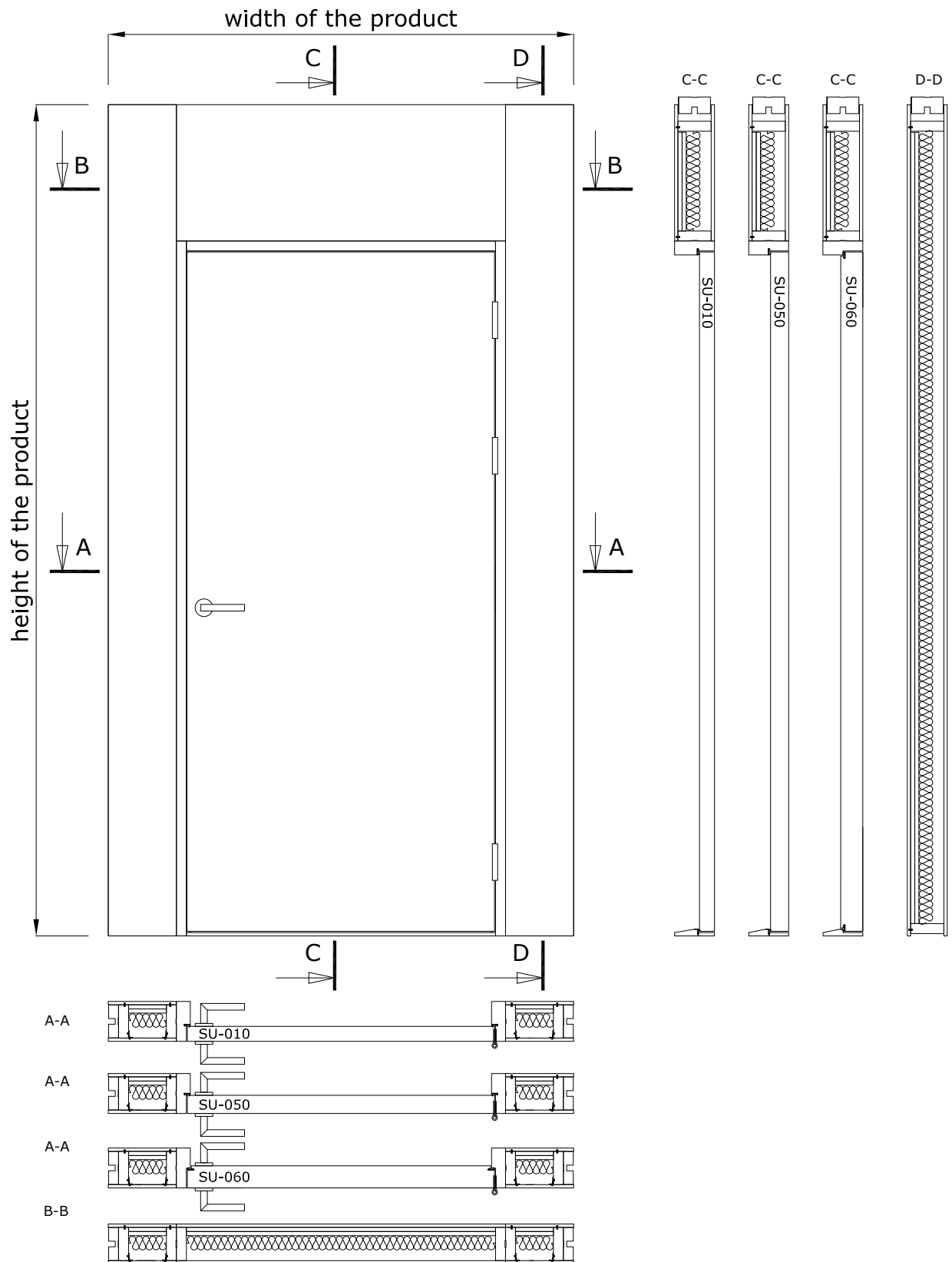
The thresholds are made of oak. It is also possible to order an automatically descending seal.

The standard lock case is ASSA 565-50 and the counterpart ASSA 2864. It is also possible to order other lock cases and counterparts.

The standard solution uses Abloy 3248 hinges. Other hinges can also be used (incl. hidden hinges).



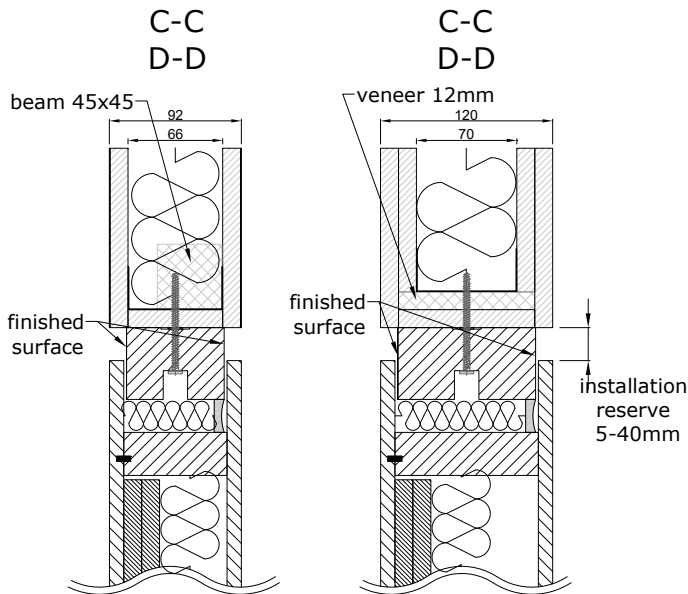
# DOORPACKAGE-R | WITH OUTWARDS OPENING DOOR



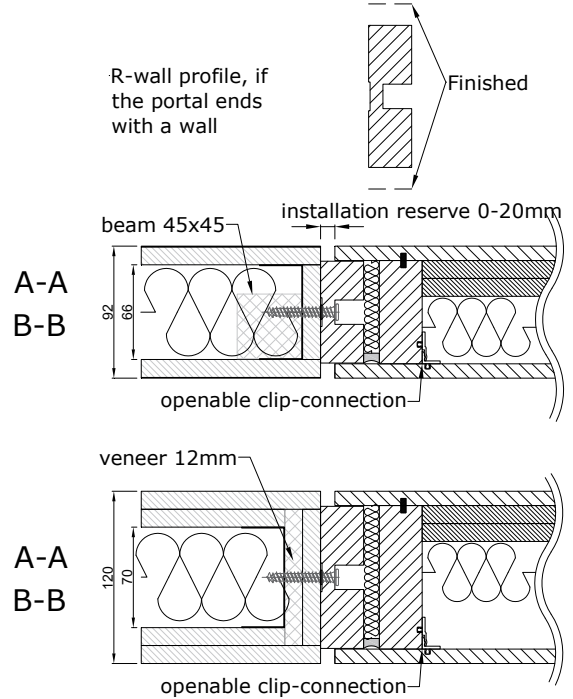
# DOORPACKAGE-R | CONNECTION UNITS



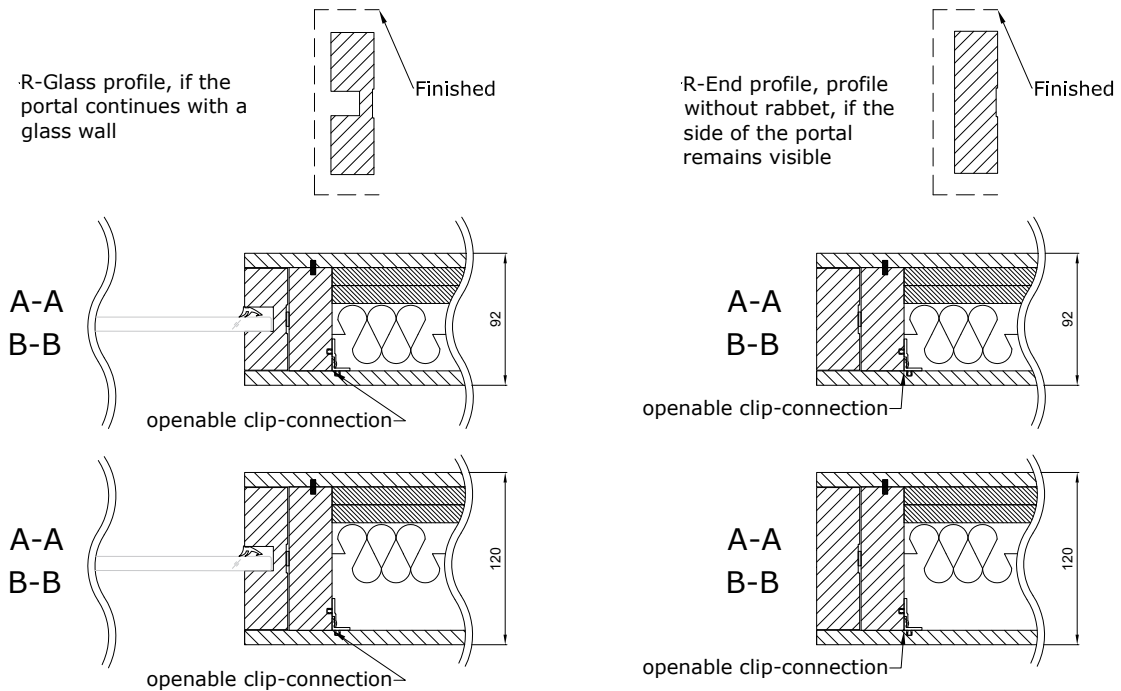
## CONNECTION WITH CEILING



## CONNECTION WITH WALL



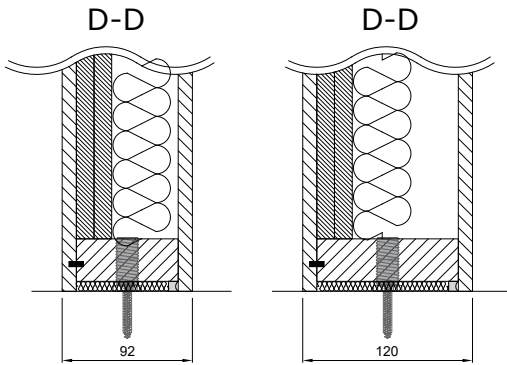
## CONNECTION WITH WALL



# DOORPACKAGE - R | CONNECTION UNITS

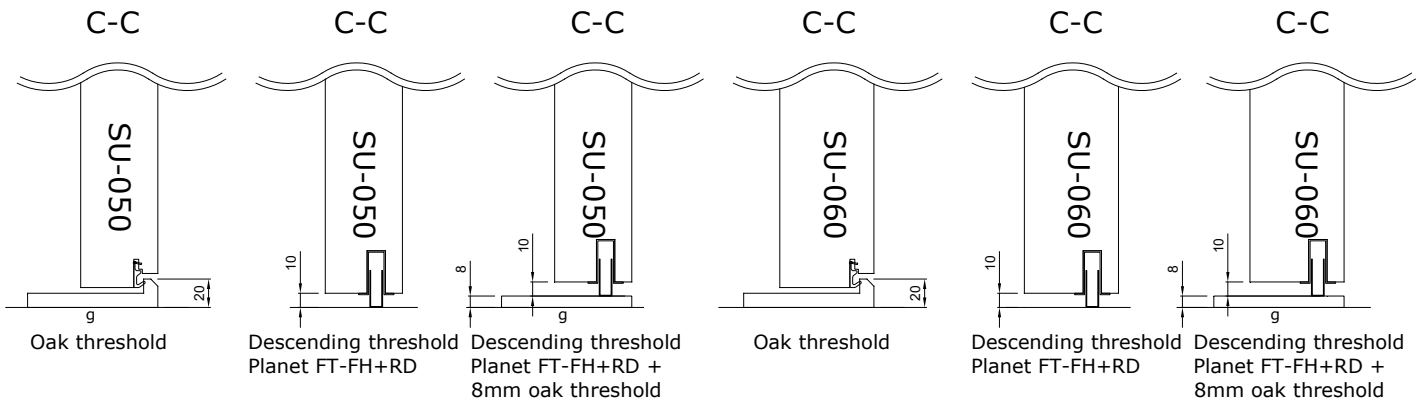


## CONNECTION WITH FLOOR

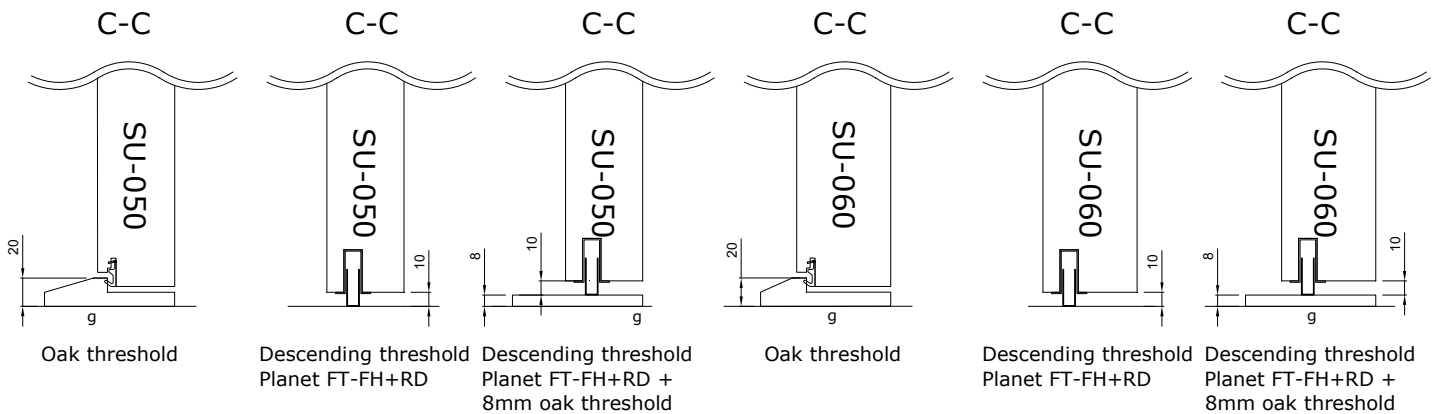


- g - glued connection
- | seal, FIX-SEAL/S 3x10mm, black
- ▨ mastic sealant
- ☞ QL3096, RAL9005 black, RAL9003 white, RAL7001 silver gray, RAL8017 bronze
- ☞ - PX4, MUST/VÄRVITU

## INWARDS OPENING DOOR



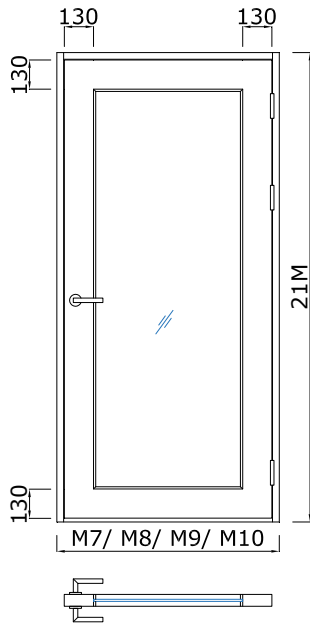
## OUTWARDS OPENING DOOR



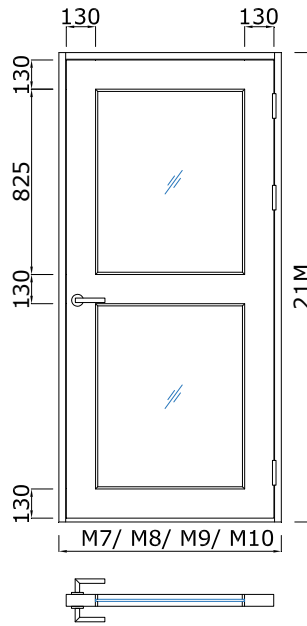
# DOORPACKAGE - R | DOOR PANELS WITH GLASS OPENINGS



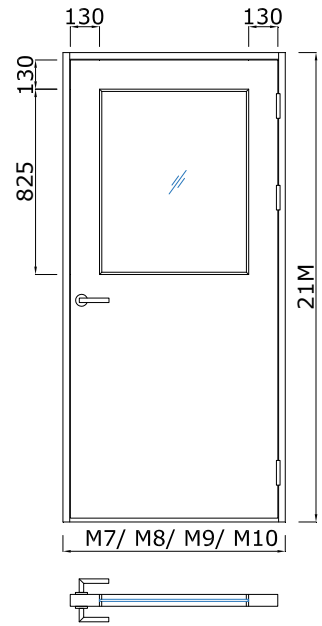
G01



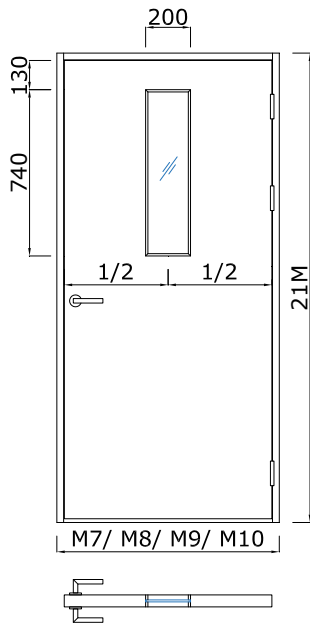
G03



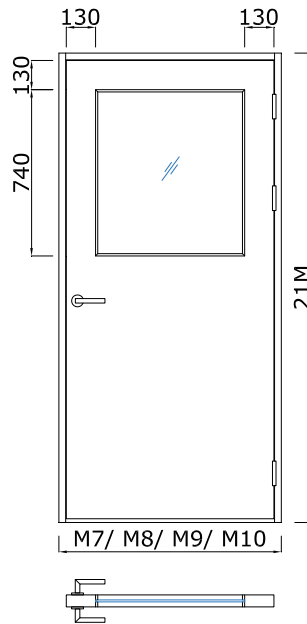
G21



G23



G24



G30

