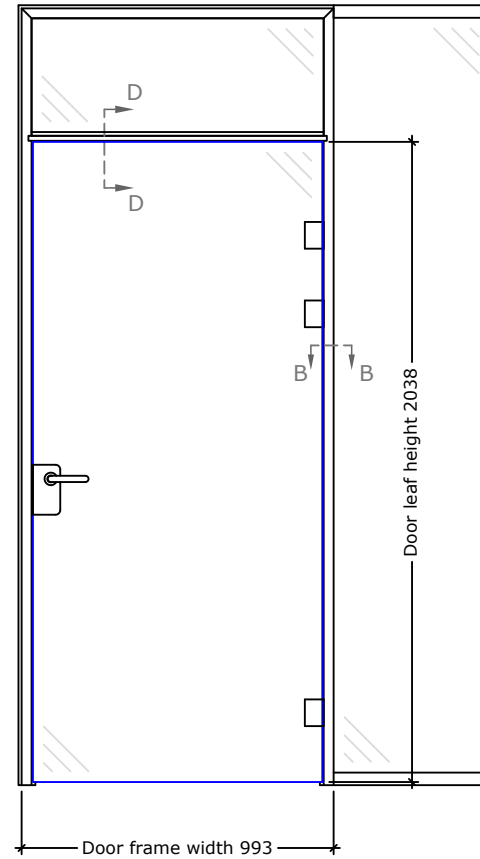

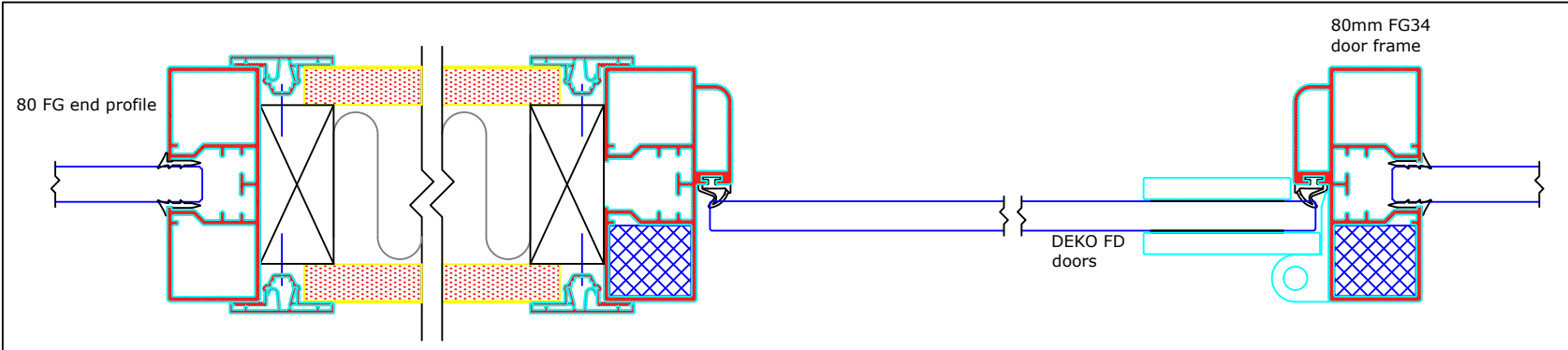


FD fully glazed door 9M

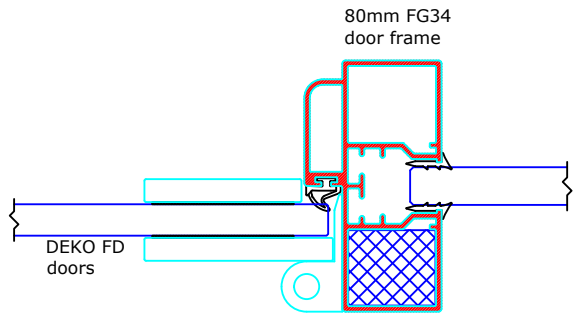


FD fully glazed door 10M

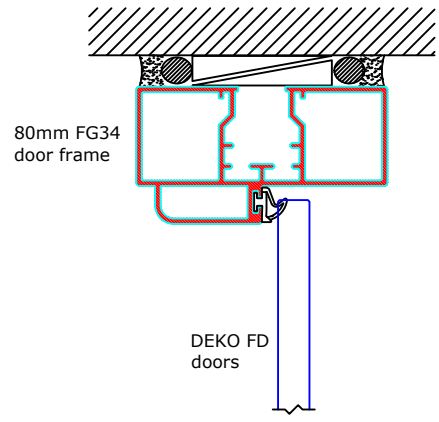
	DEKO Tlf./Tel: +45 43 55 77 11 www.deko.dk / www.deko.com	Projekt/Project: DEKO		
	Sags Nr./Case No.: 2018-12-12-1420	Emne/Subject: DEKO FG partition with FD door Elevation	Dato/Date: 2019-01-29	Tegn. Nr. Sheet No. 10/11
	Mål/Scale: 1:20		Revideret/Revision: 2019-01-31-V02	Signatur Signature EB/SIB



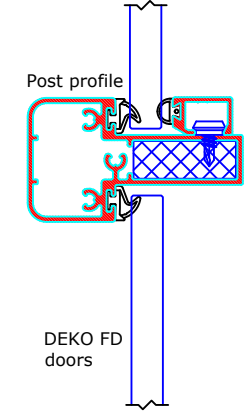
SECTION A-A




SECTION B-B



SECTION C-C



SECTION D-D

	DEKO Tlf./Tel: +45 43 55 77 11 www.deko.dk / www.deko.com	Projekt/Project: DEKO	
	Sags Nr./Case No.: 2018-12-12-1420	Emne/Subject: DEKO FG partition with FD door Details	Dato/Date: 2019-01-29
Mål/Scale: 1:2		Revideret/Revision: 2019-01-31-V02	Signatur Signature EB/SIB