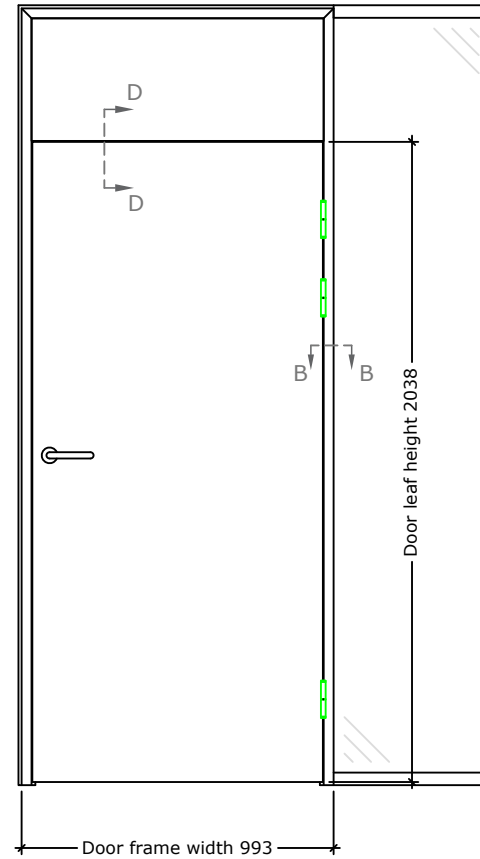

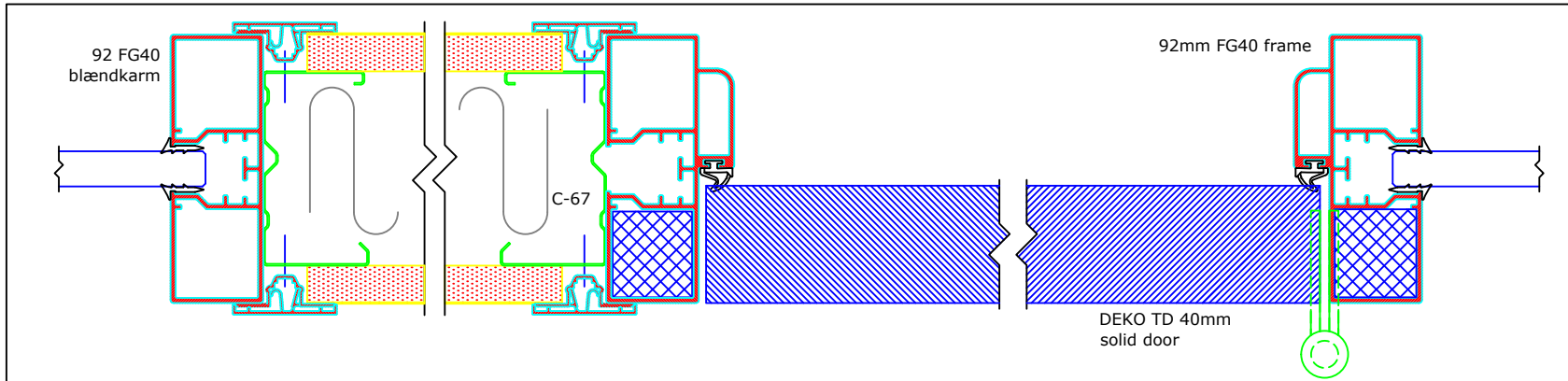


**TD solid door 9M**

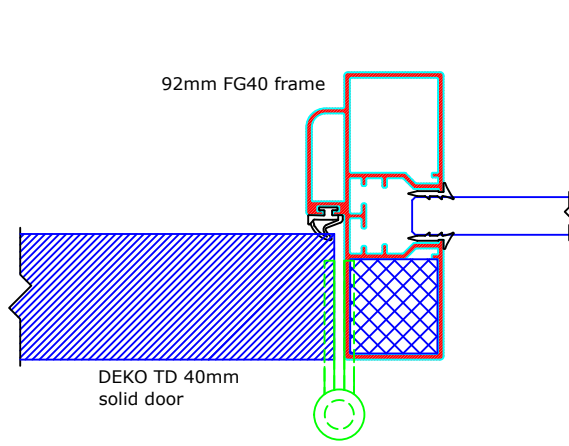


**TD solid door 10M**

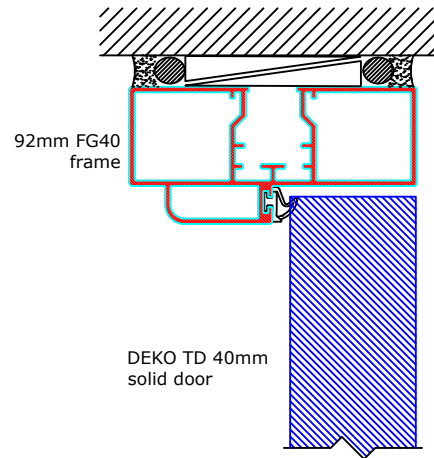
	<b>DEKO</b> <b>Tlf./Tel:</b> +45 43 55 77 11 <a href="http://www.deko.dk">www.deko.dk</a> / <a href="http://www.deko.com">www.deko.com</a>	<b>Projekt/Project:</b> DEKO	
	<b>Sags Nr./Case No.:</b> 2018-12-12-1420	<b>Emne/Subject:</b> DEKO FG partition with TD door Elevation	<b>Dato/Date:</b> 2019-01-29
<b>Mål/Scale:</b> 1:20		<b>Revideret/Revision:</b> 2019-01-31-V02	<b>Signatur Signature</b> EB/SIB



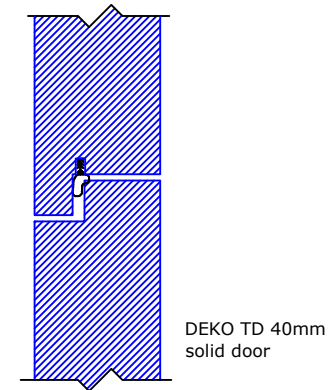
**SECTION A-A**




**SECTION B-B**



**SECTION C-C**



**SECTION D-D**

	<b>DEKO</b> Tlf./Tel: +45 43 55 77 11 www.deko.dk / www.deko.com	<b>Projekt/Project:</b> DEKO	
	<b>Sags Nr./Case No.:</b> 2018-12-12-1420	<b>Emne/Subject:</b> DEKO FG partition with TD door Details	<b>Dato/Date:</b> 2019-01-29
<b>Mål/Scale:</b> 1:2		<b>Revideret/Revision:</b> 2019-01-31-V02	<b>Signatur Signature</b> EB/SIB